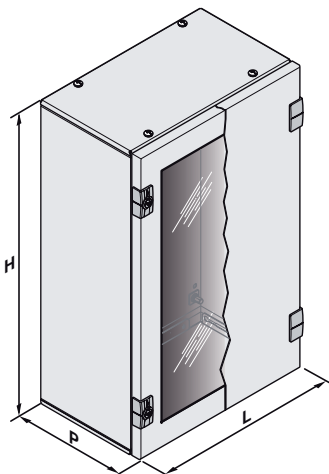
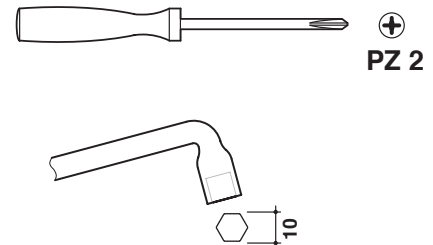
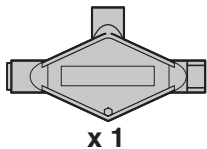
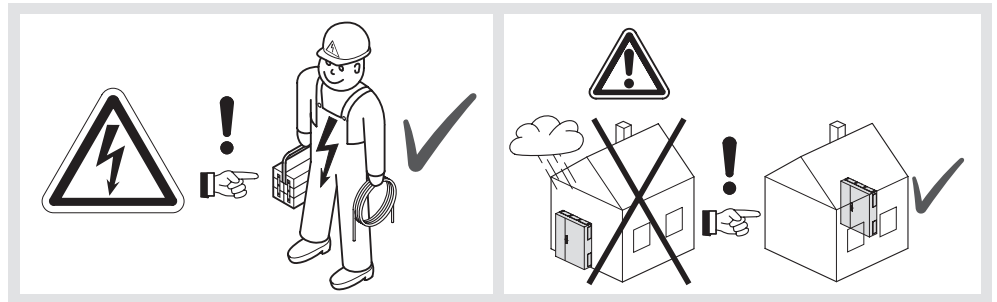


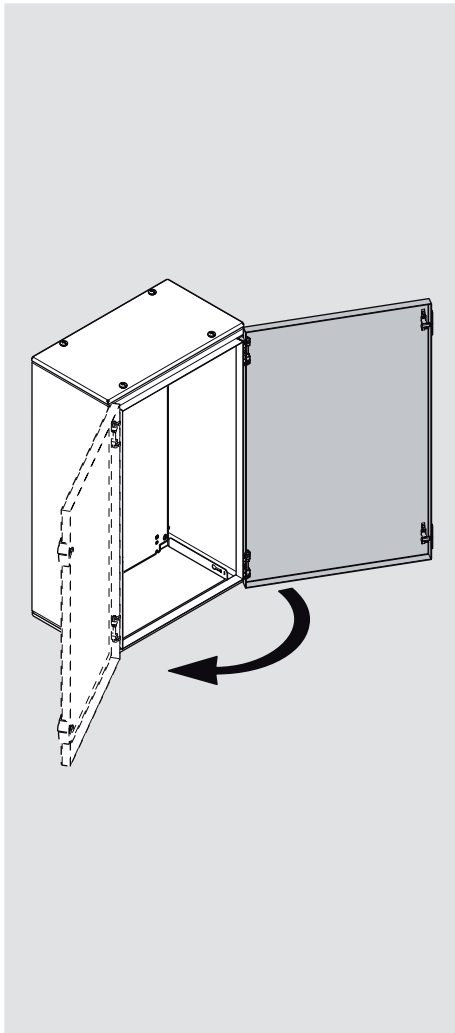
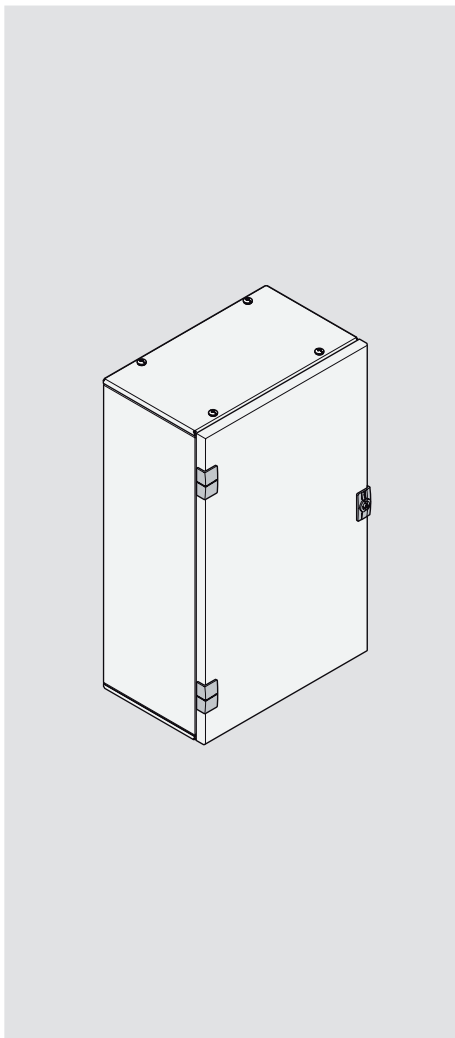
orion plus

- (DE) Montageanleitung
- (FR) Notice d'instructions
- (GR) Mounting instructions
- (NL) Montage instructie
- (DK) Monteringsvejledning
- (FI) Asennusohje
- (NO) Montasjeanvisning
- (SE) Monterings instruktioner
- (IT) Istruzioni di montaggio
- (ES) Instrucciones de montaje
- (PT) Instruções de montagem
- (CZ) Montážní návod
- (BA) Uputstvo za montažu
- (HR) Upute za montažu
- (HU) Szerelési útmutató
- (LT) Montavimo instrukcija
- (LV) Mont žas instrukcija
- (PL) Instrukcja montażowa
- (RO) Instrucțiuni de montare
- (SK) Návod na montáž
- (RU) Инструкция по монтажу
- (BG) Инструкции за монтаж
- (GR) Οδηγίες χώνευσης
- (SI) Navodilo za montažo
- (EE) Paigaldusjuhised
- (IS) Leiðbeiningar



			H	L	P
	FL101A	FL151A	250	200	160
	FL102A	FL152A	300	250	160
	FL103A	FL153A	300	300	160
	FL104A	FL154A	350	300	160
	FL105A	FL155A	350	300	200
	FL106A	FL156A	400	300	160
	FL107A	FL157A	400	300	200
	FL108A	FL158A	400	400	200
	FL109A	FL159A	500	300	160
	FL110A	FL160A	500	300	200
	FL111A	FL161A	500	400	160
	FL112A	FL162A	500	400	200
	FL113A	FL163A	500	500	200
	FL114A	FL164A	600	400	200
	FL115A	FL165A	600	400	250
	FL116A	FL166A	600	600	250
	FL117A	FL167A	650	400	200

			H	L	P
	FL118A	FL168A	650	400	250
	FL119A	FL169A	650	500	200
	FL120A	FL170A	650	500	250
	FL121A	FL171A	800	500	200
	FL122A	FL172A	800	500	250
	FL123A	FL173A	800	600	250
	FL124A	FL174A	800	600	300
	FL125A	FL175A	950	600	250
	FL126A	FL176A	950	600	300
	FL127A	FL177A	950	800	250
	FL128A	FL178A	950	800	300
	FL129A	FL179A	1250	600	250
	FL130A	FL180A	1250	800	300



1

2

		H	L	P
FL101A	FL151A	250	200	160
FL102A	FL152A	300	250	160
FL103A	FL153A	300	300	160
FL104A	FL154A	350	300	160
FL105A	FL155A	350	300	200
FL106A	FL156A	400	300	160
FL107A	FL157A	400	300	200
FL108A	FL158A	400	400	200
FL109A	FL159A	500	300	160
FL110A	FL160A	500	300	200
FL111A	FL161A	500	400	160
FL112A	FL162A	500	400	200
FL113A	FL163A	500	500	200
FL121A	FL171A	800	500	200
FL122A	FL172A	800	500	250
FL123A	FL173A	800	600	250
FL124A	FL174A	800	600	300
FL125A	FL175A	950	600	250
FL126A	FL176A	950	600	300
FL127A	FL177A	950	800	250
FL128A	FL178A	950	800	300
FL129A	FL179A	1250	600	250
FL130A	FL180A	1250	800	300

1

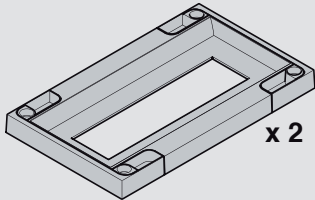
2

		H	L	P
FL114A	FL164A	600	400	200
FL115A	FL165A	600	400	250
FL117A	FL167A	650	400	200
FL118A	FL168A	650	400	250
FL119A	FL169A	650	500	200
FL120A	FL170A	650	500	200
FL116A	FL166A	600	600	250

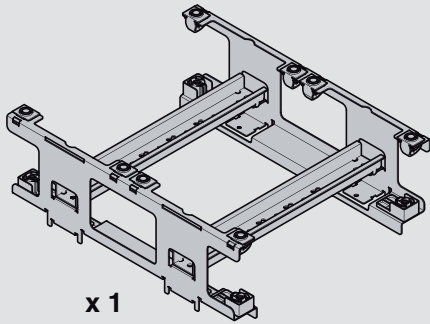
S



FL979A



x 2



x 1

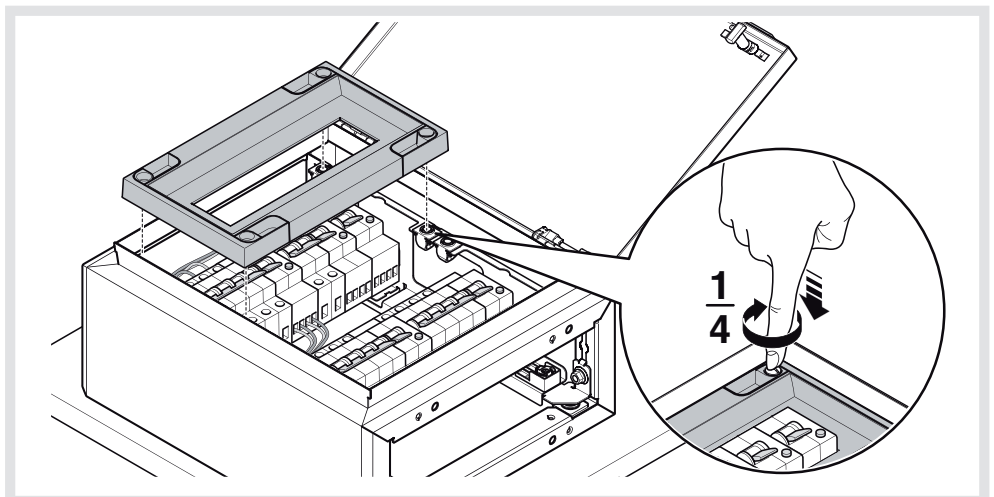
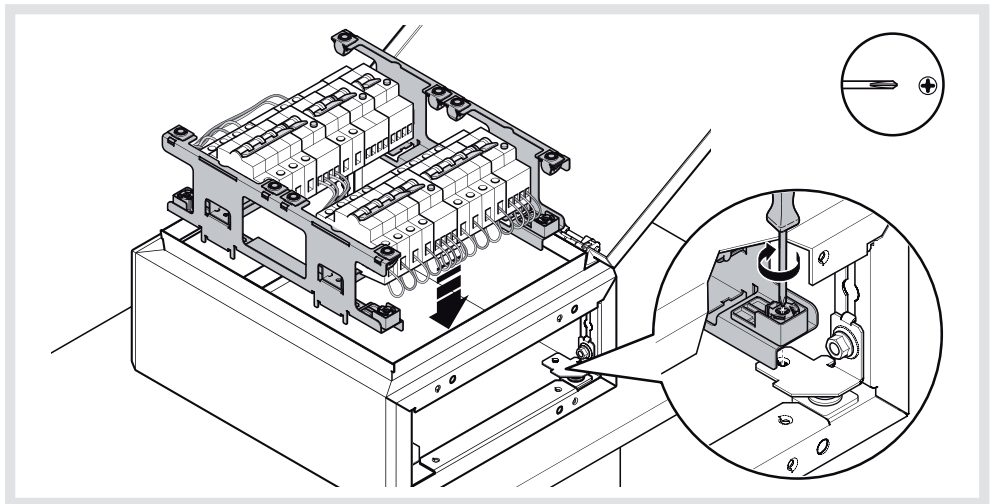
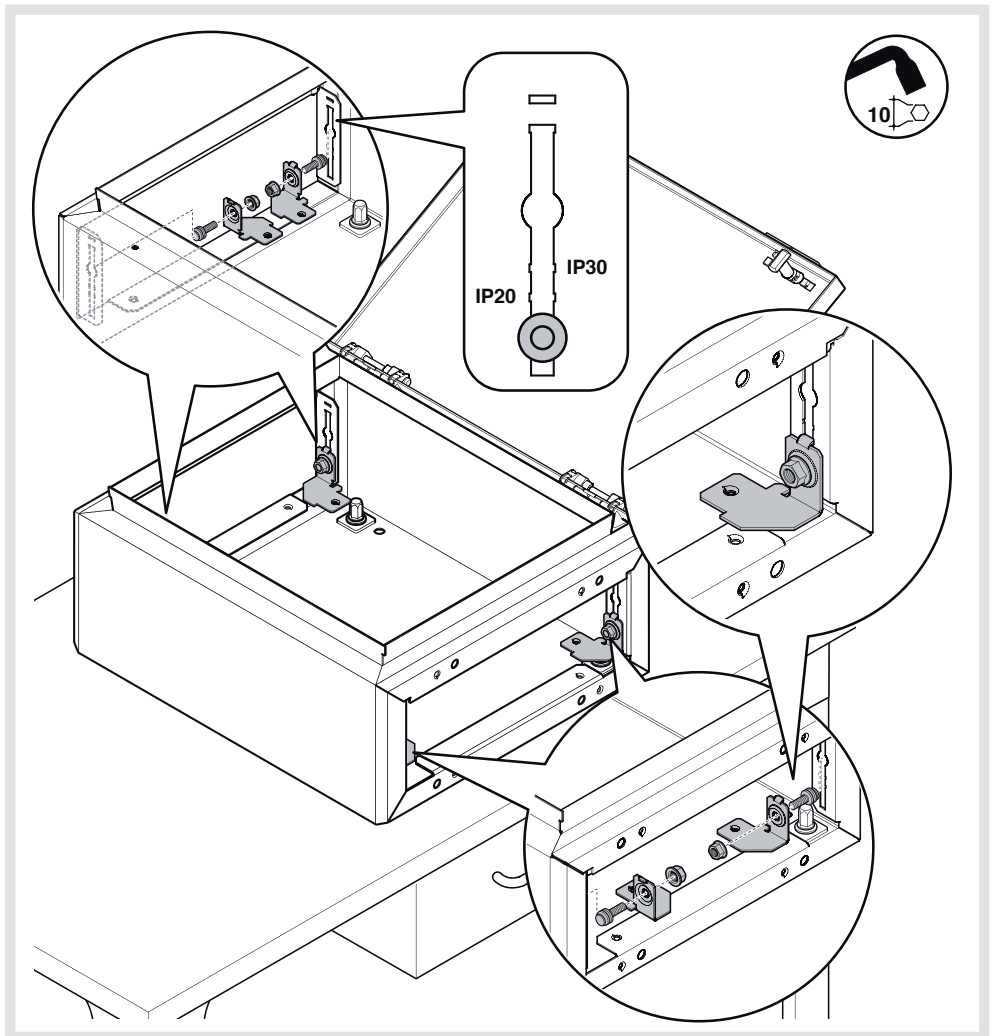
 x 4

 x 2

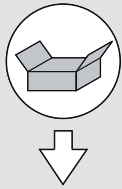
 M6
x 4

 x 2

 x 2

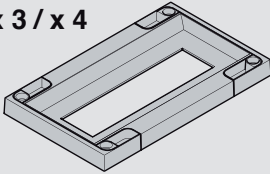


S

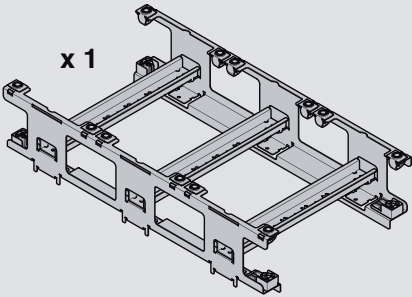


FL981A ÷ FL983A

x 3 / x 4



x 1



x 4



x 2



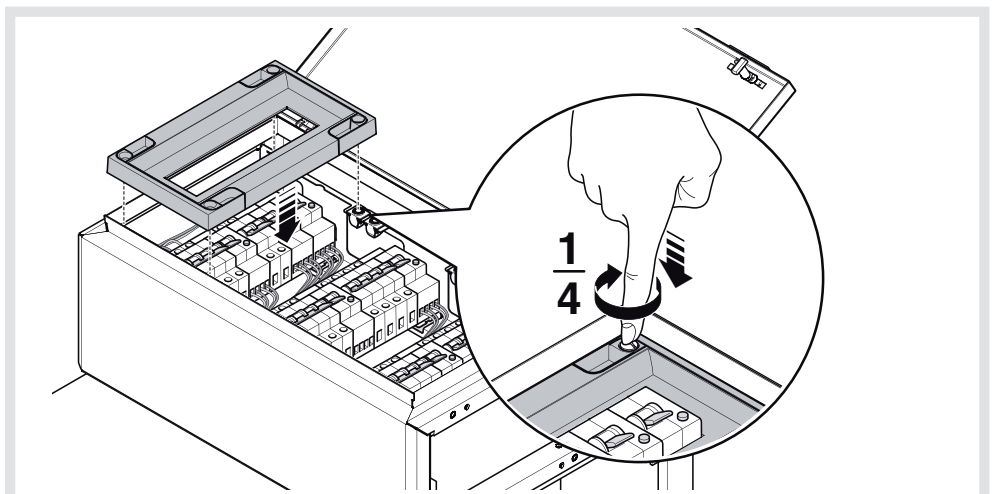
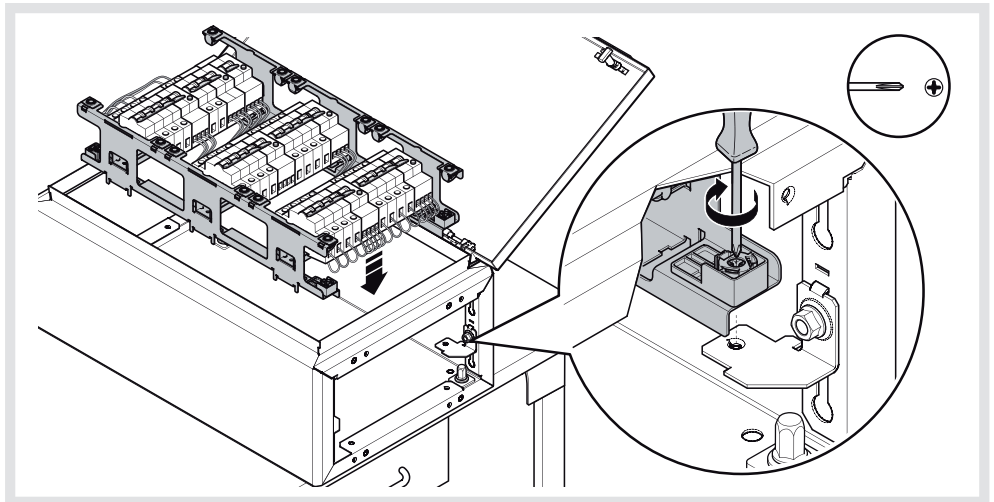
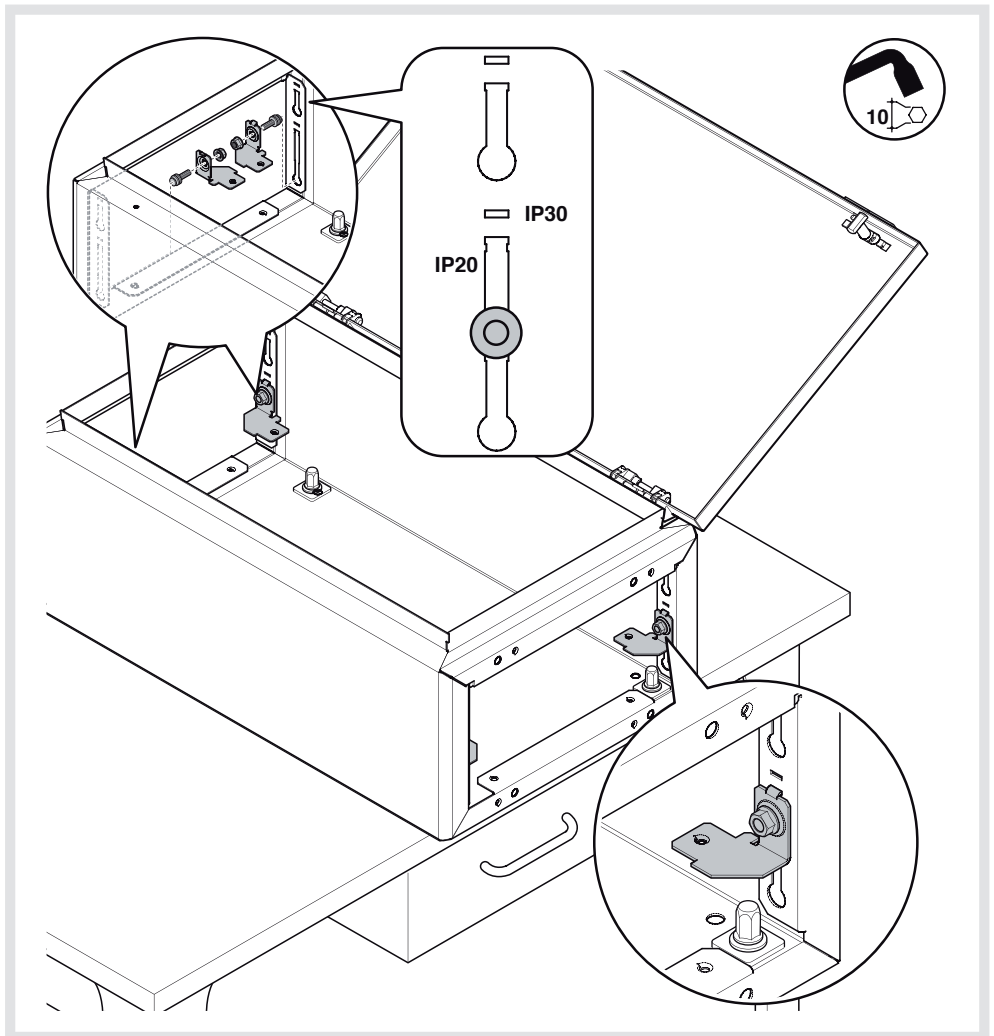
M6
x 4

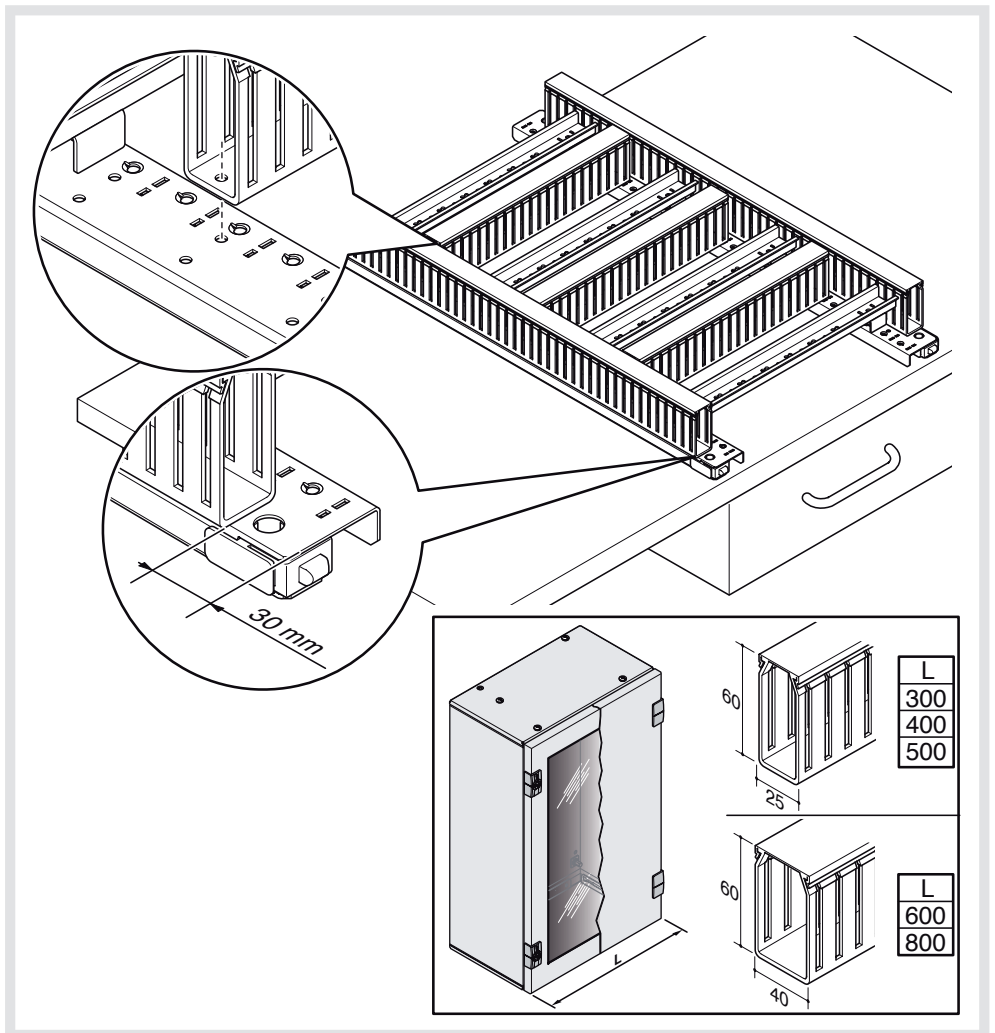
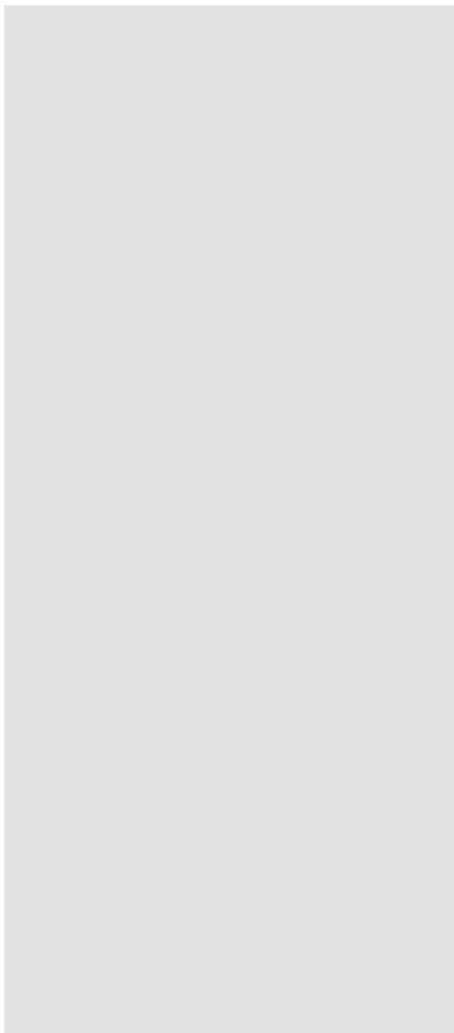
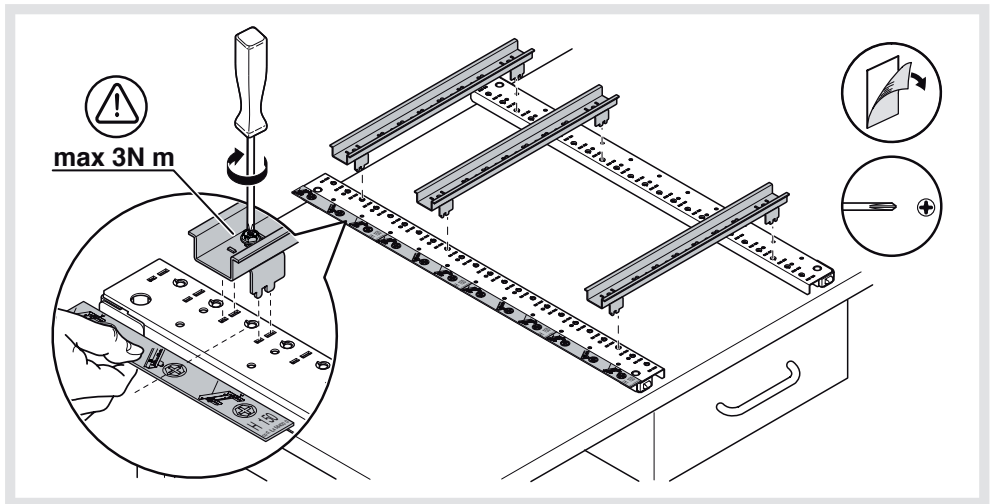
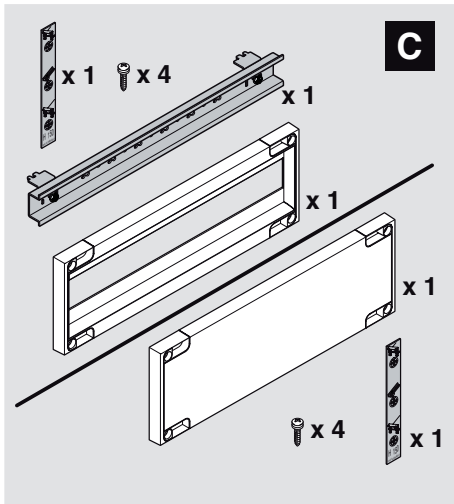
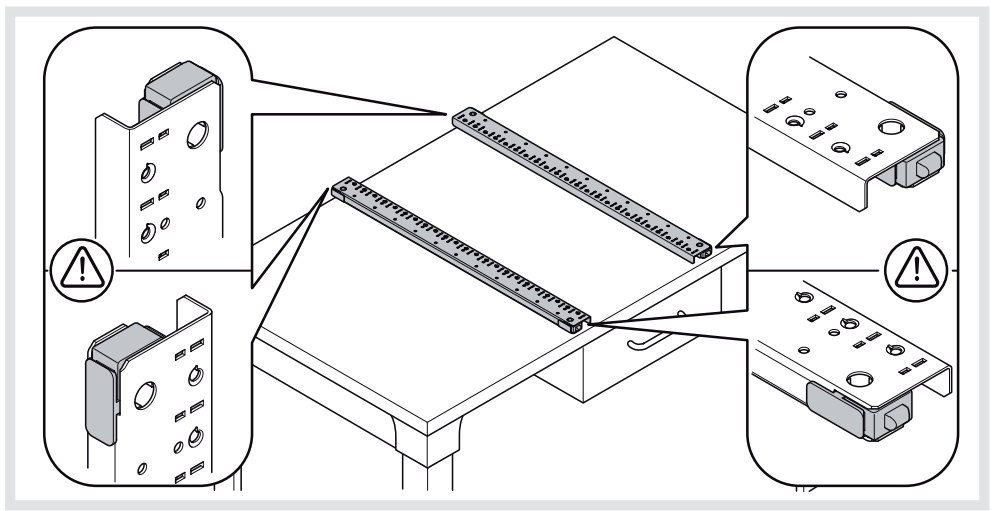
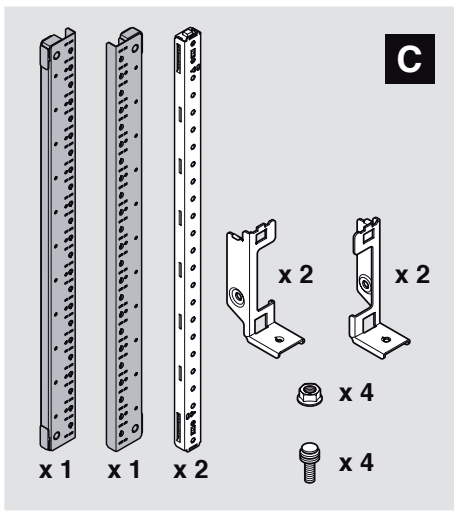


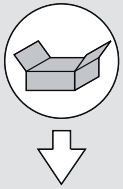
x 2



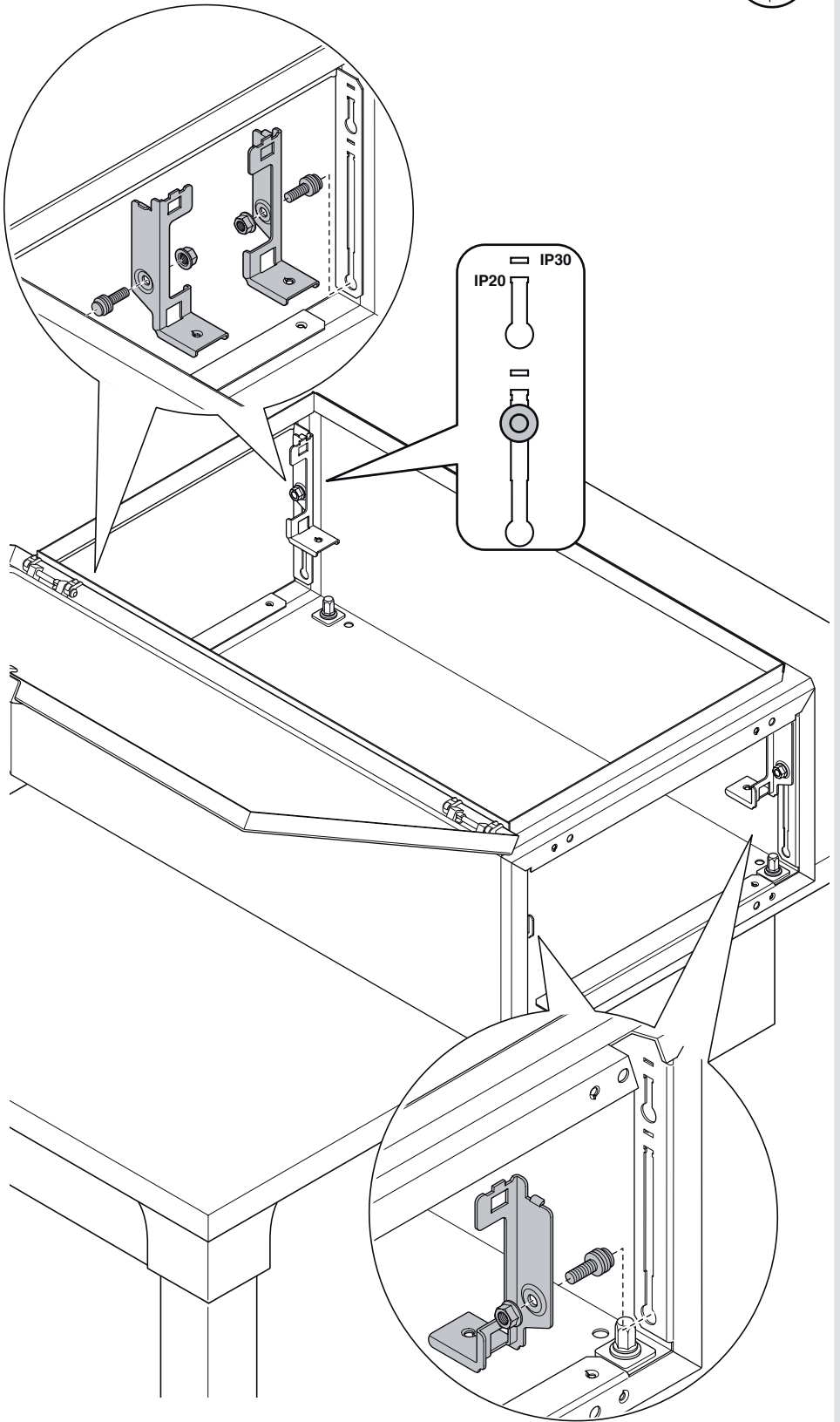
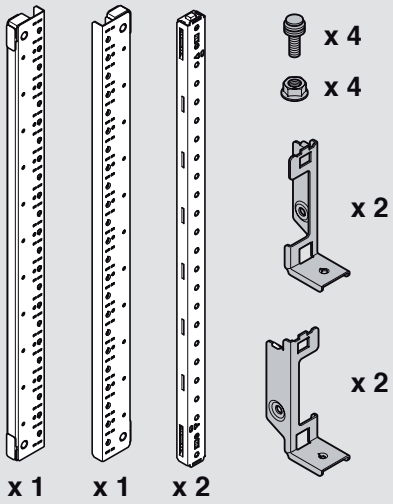
x 3 / x 4

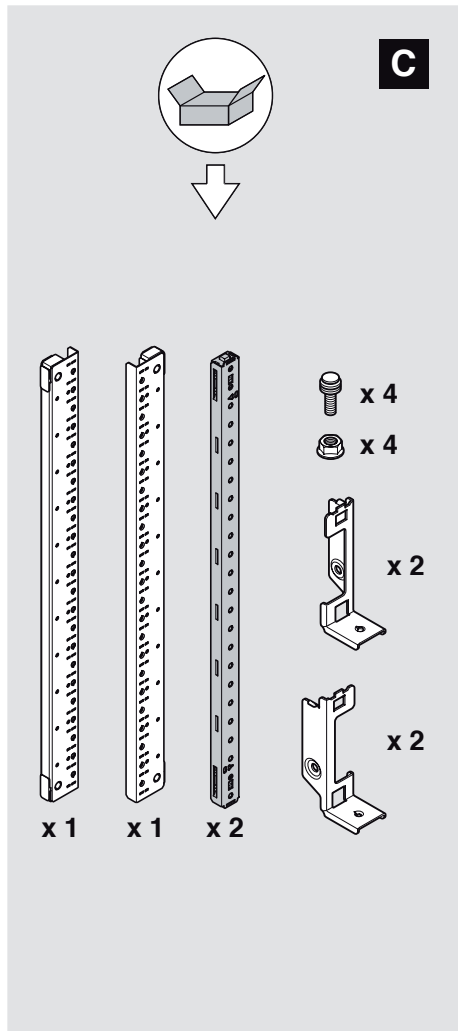
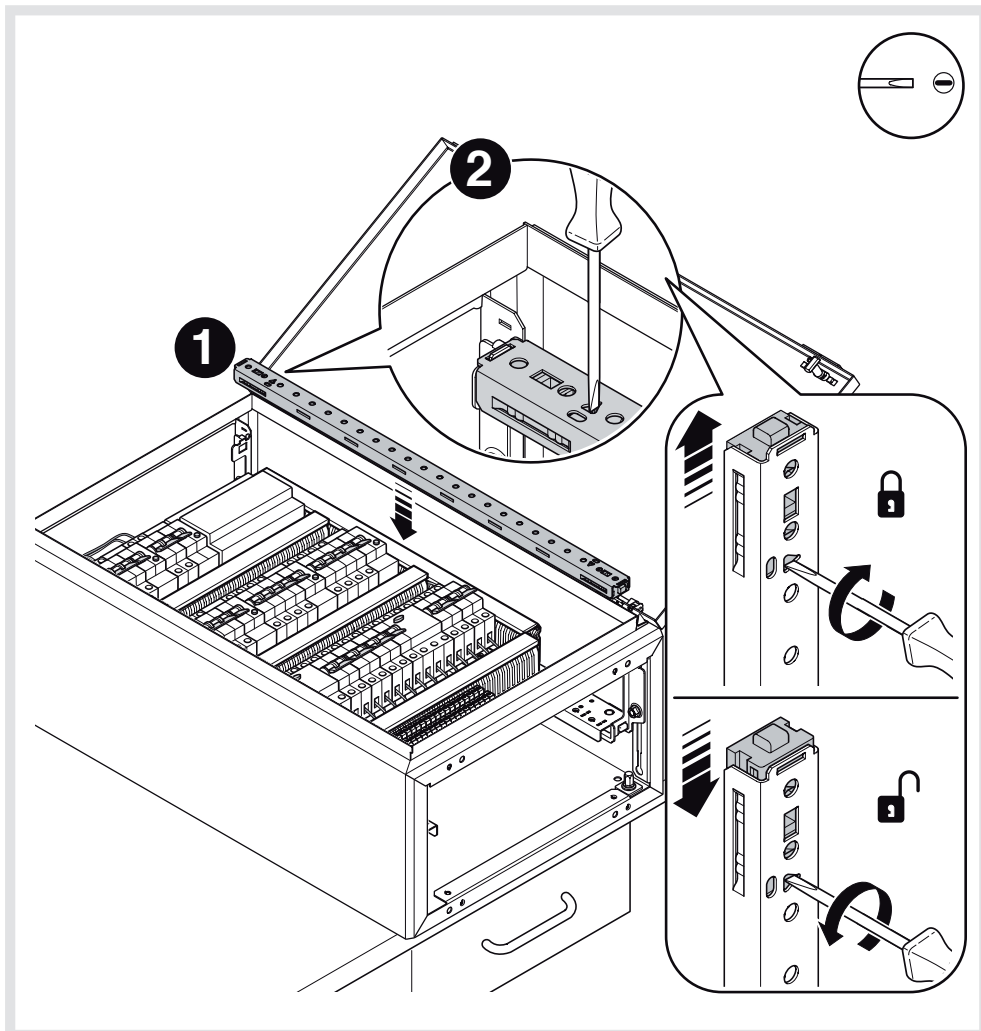
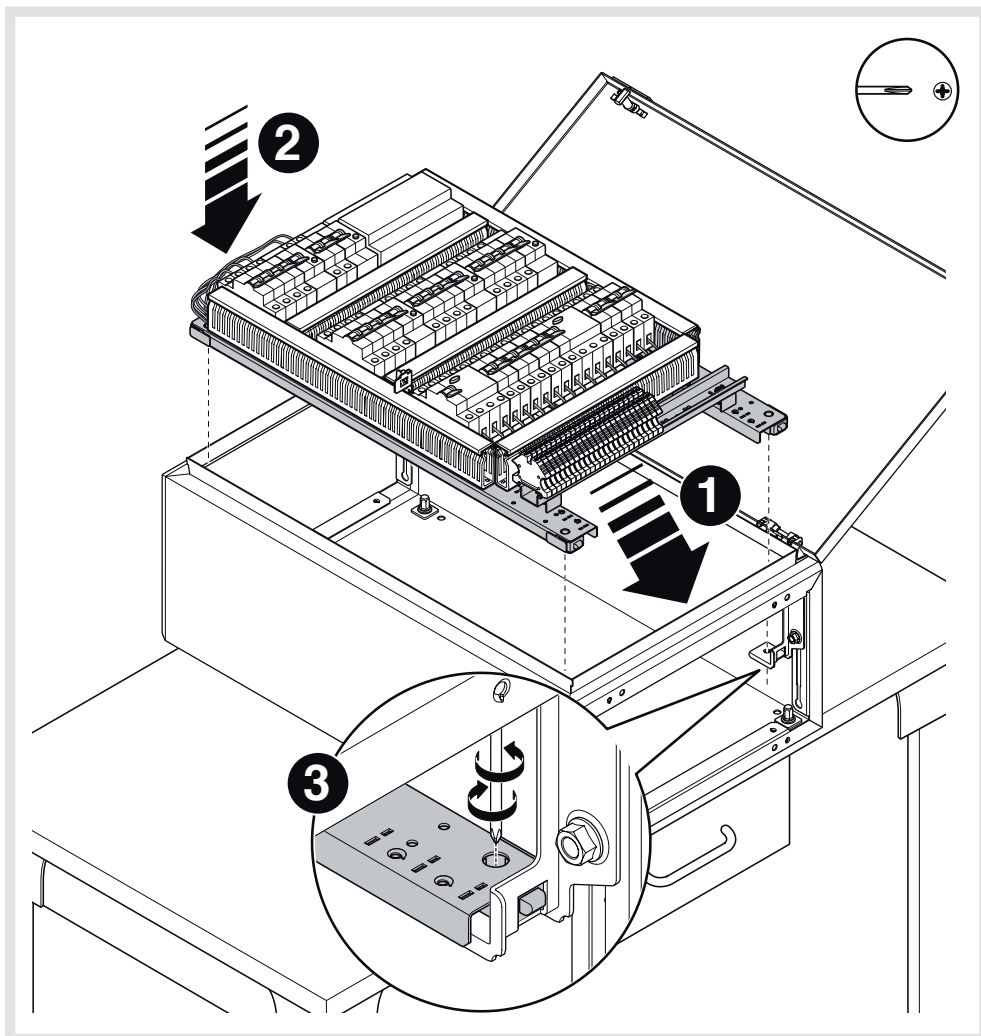




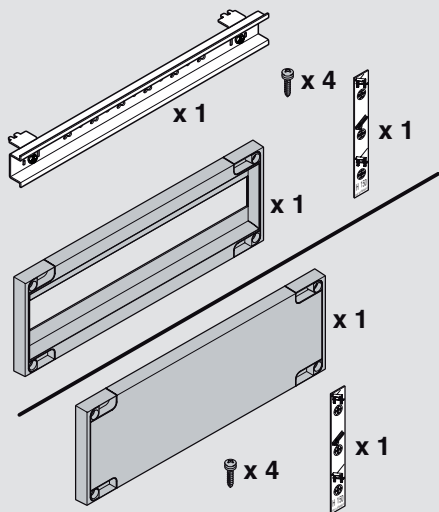
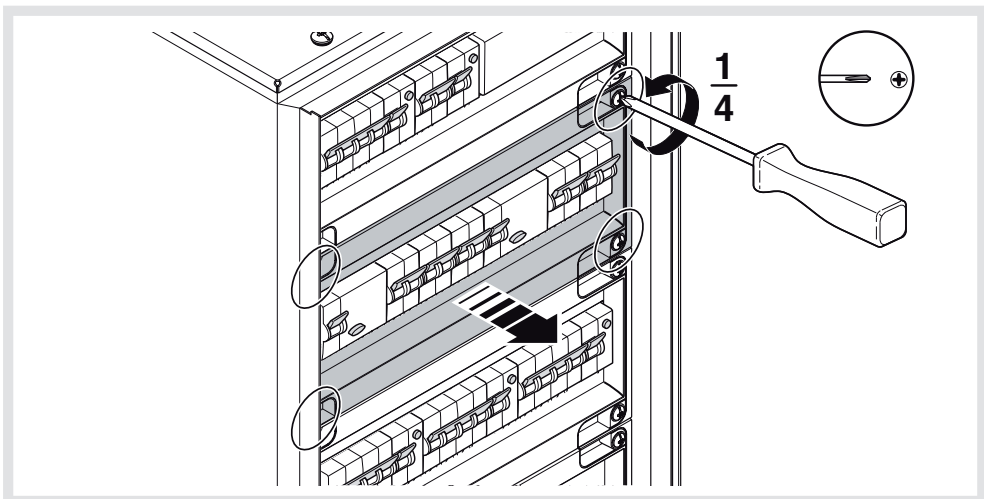
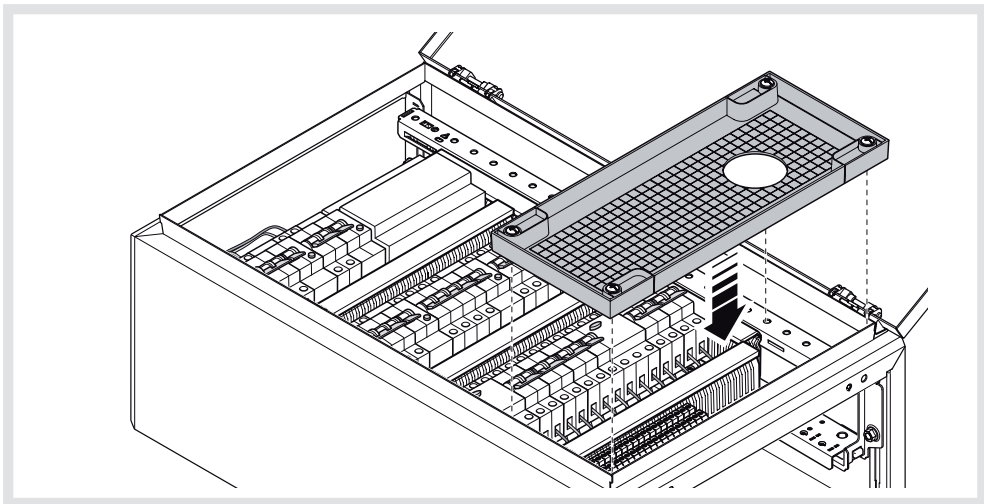
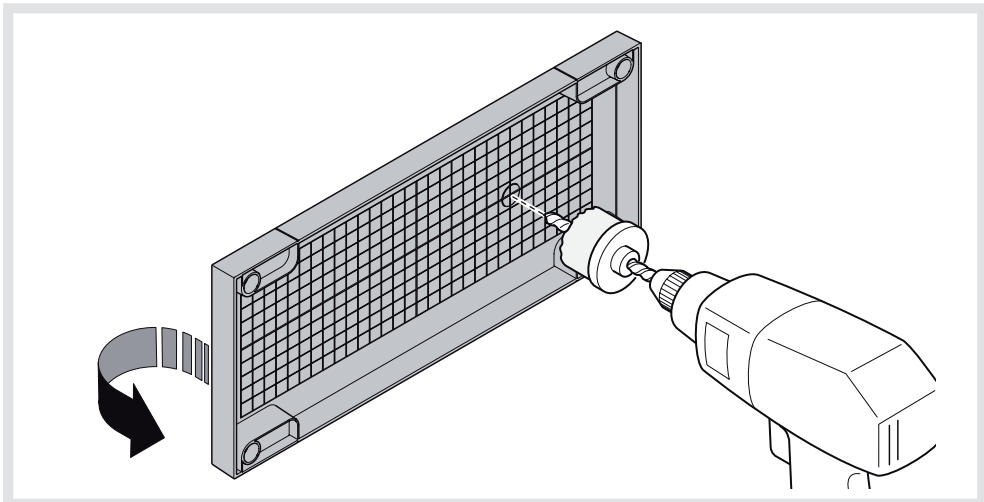
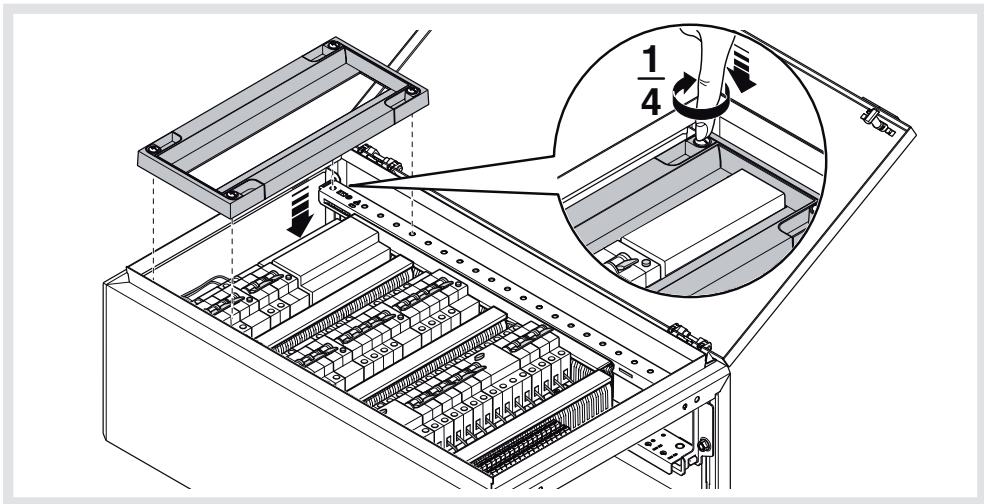


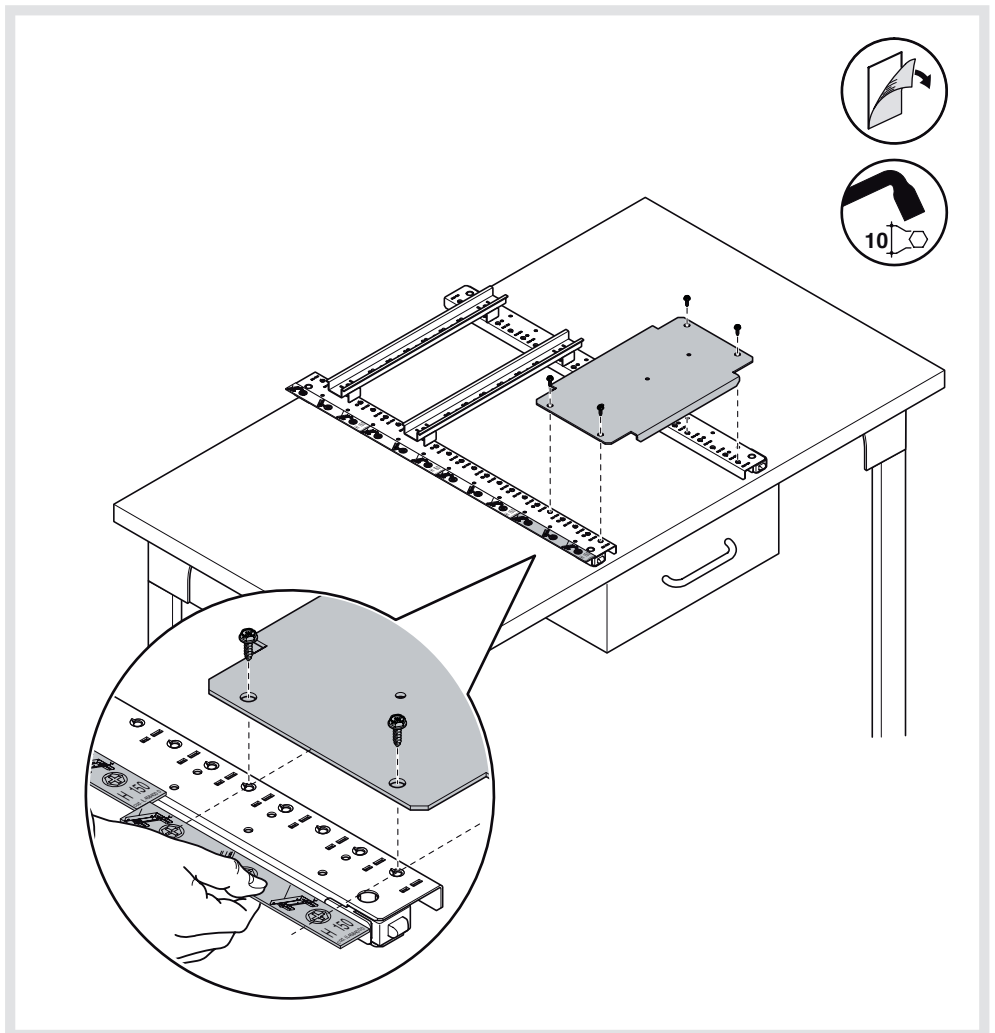
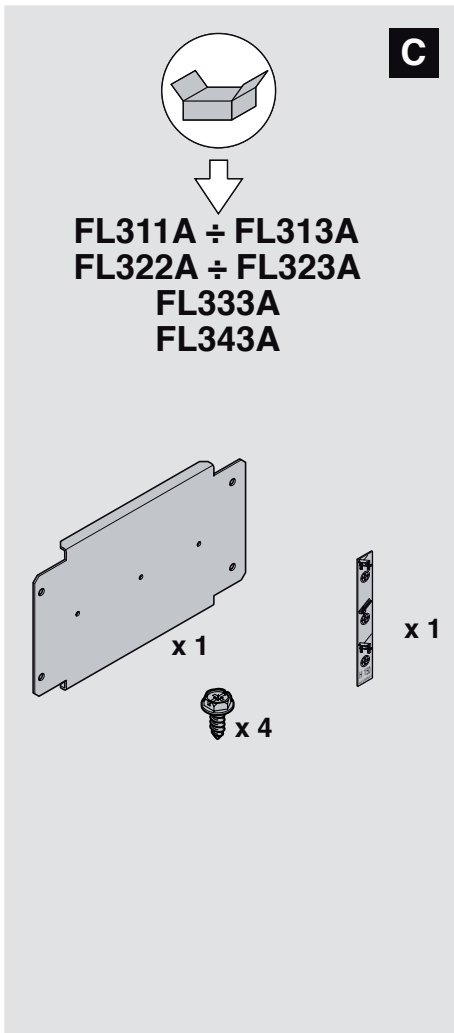
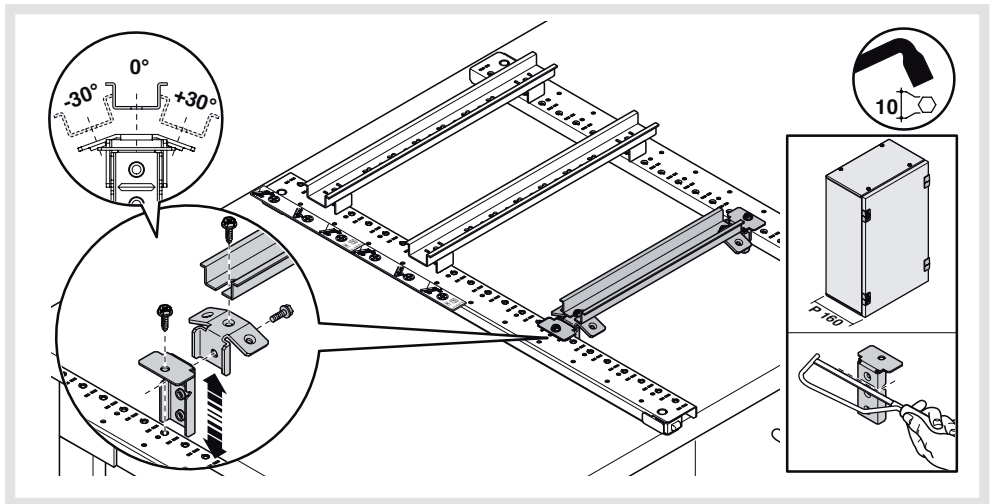
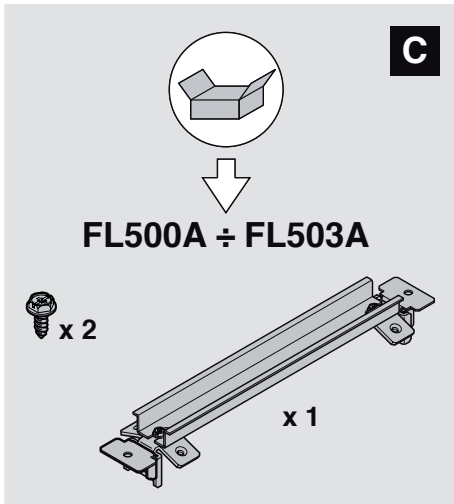
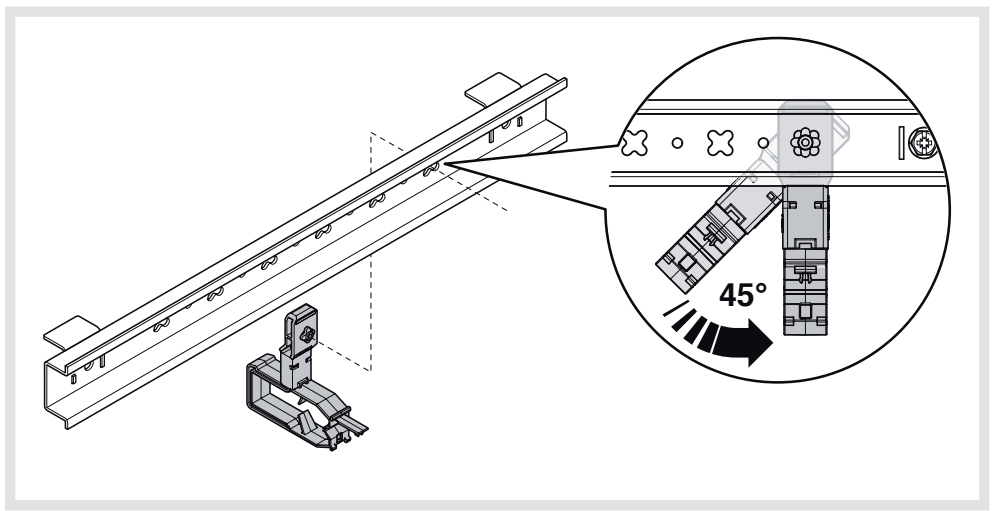
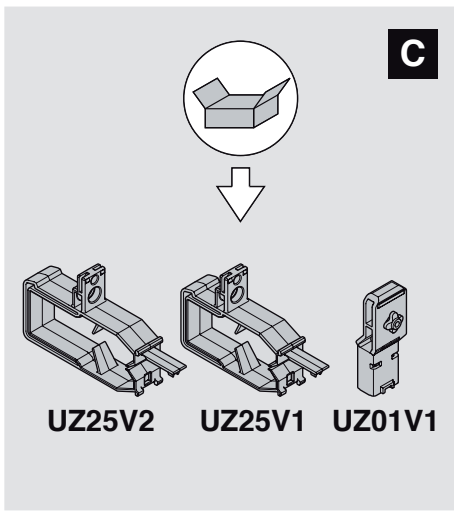
C



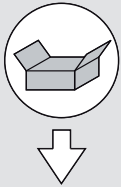


C

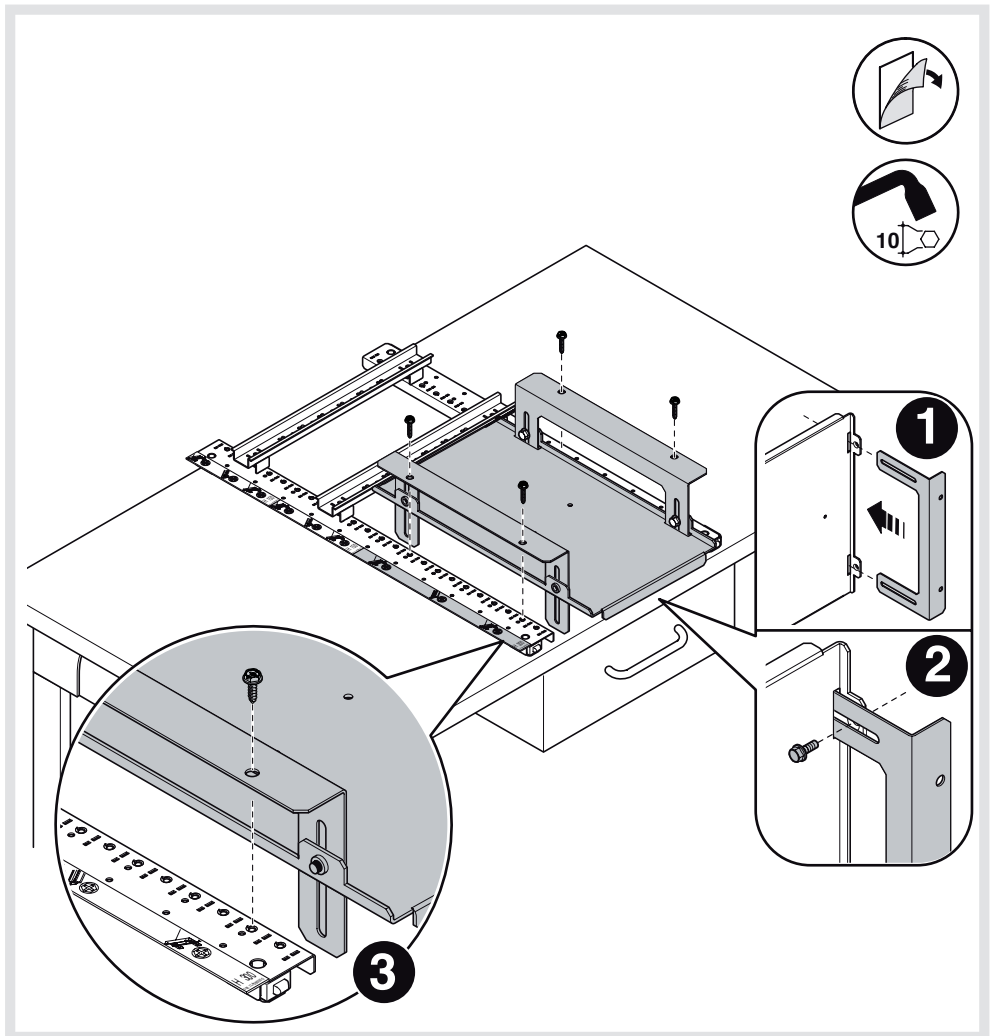
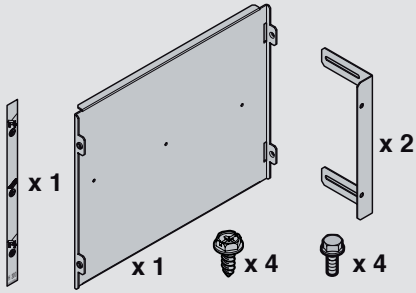




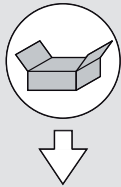
C



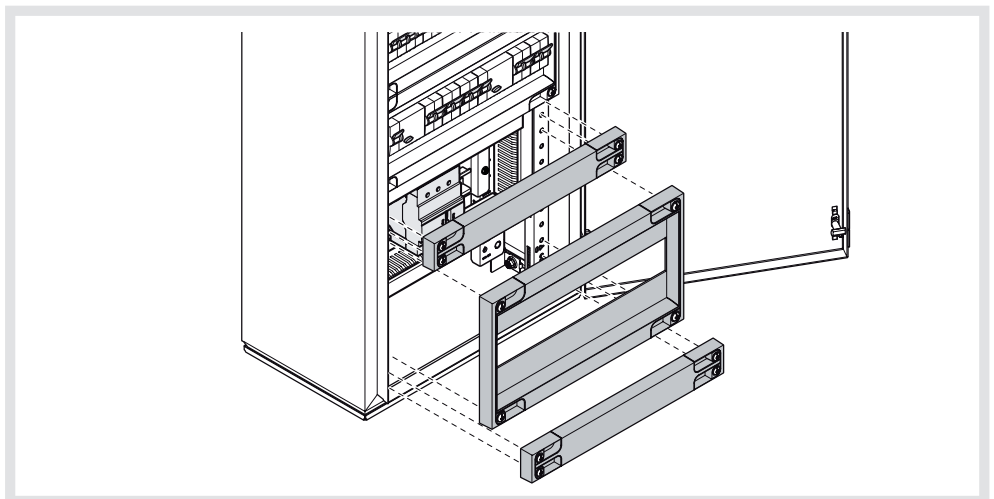
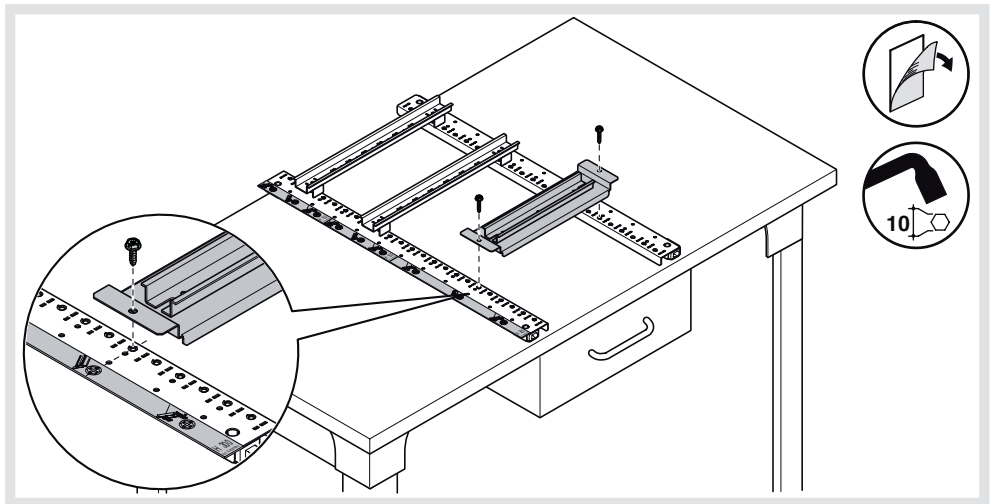
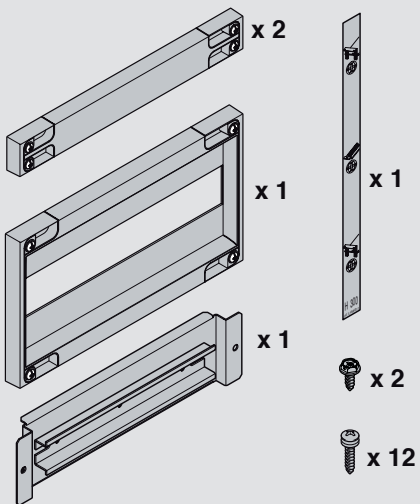
FL314A ÷ FL317A
FL324A ÷ FL327A
FL335A ÷ FL337A
FL345A ÷ FL347A



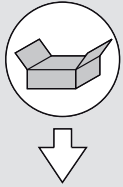
C



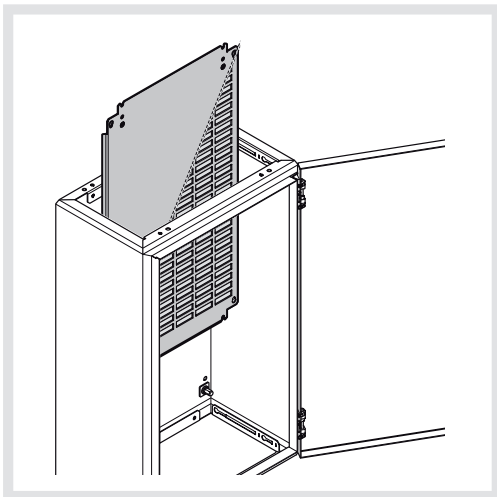
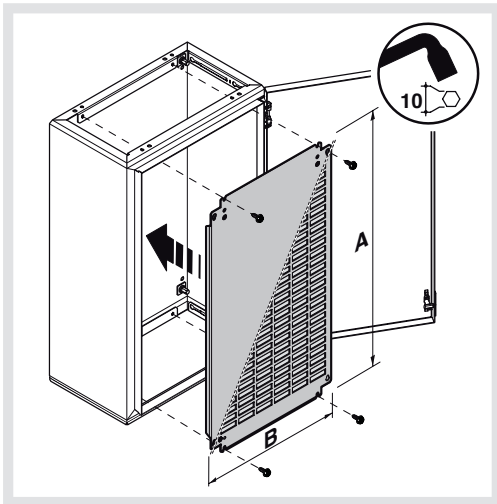
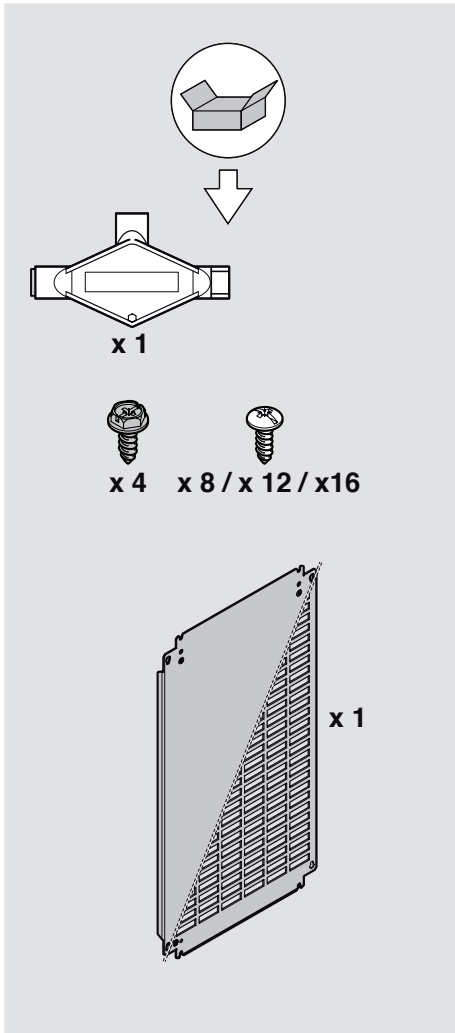
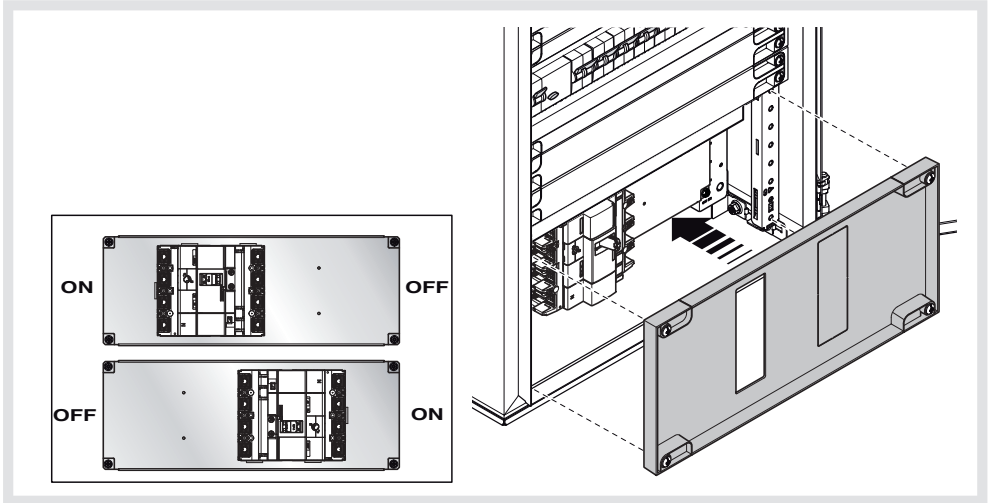
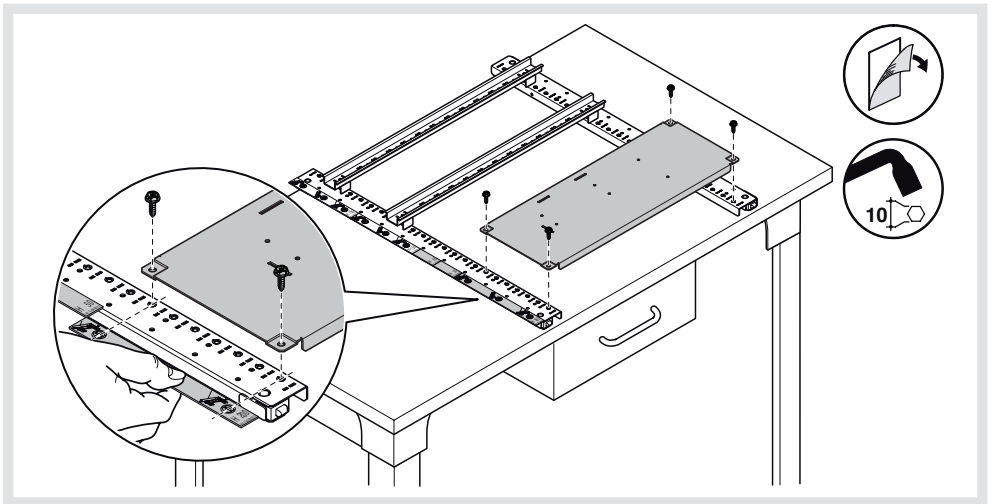
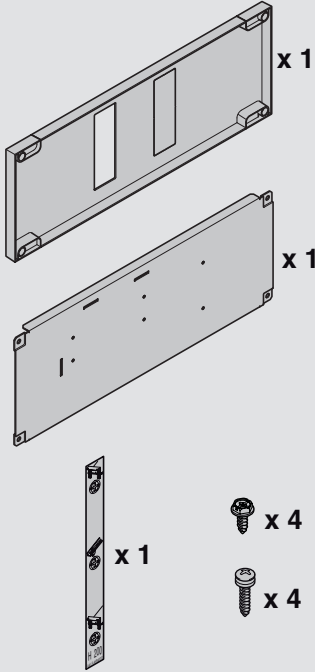
FL371A ÷ FL374A



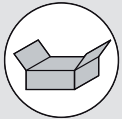
C



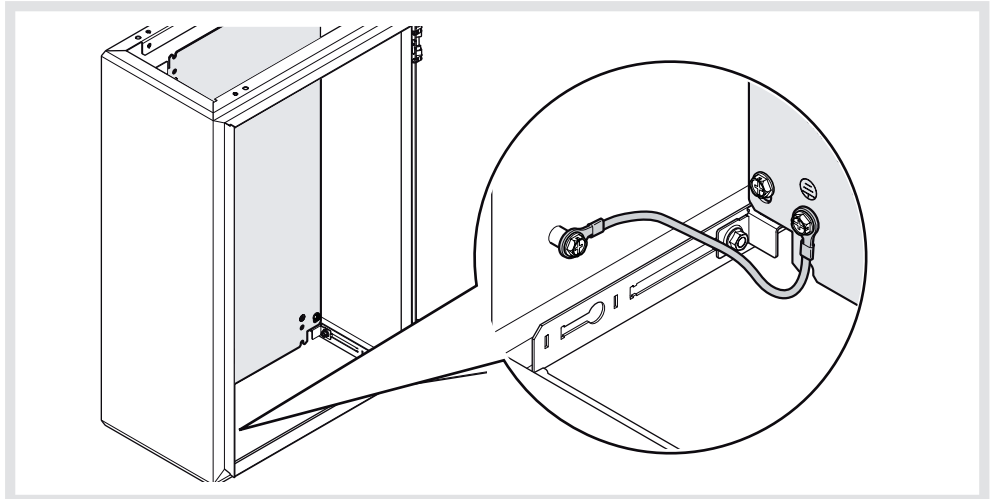
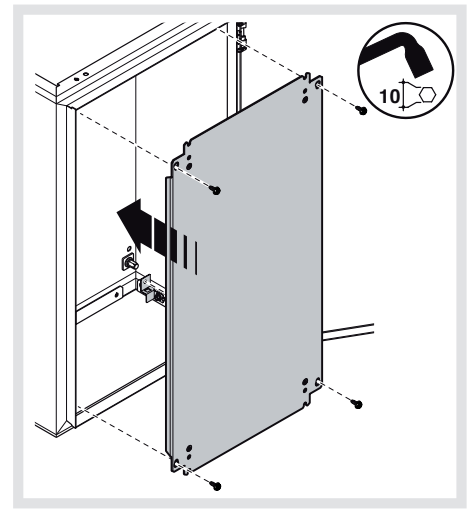
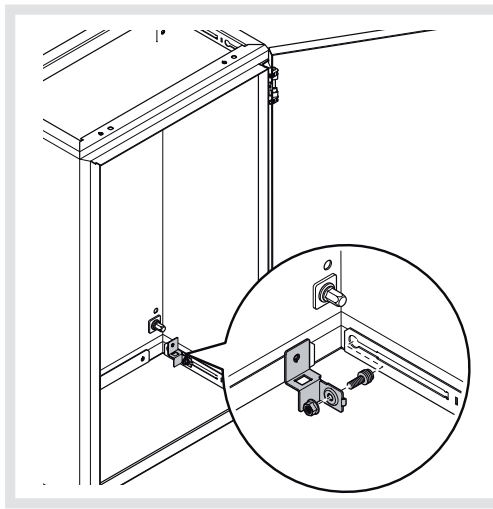
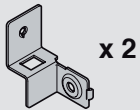
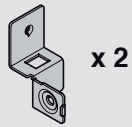
**FL380AH
FL381AH**



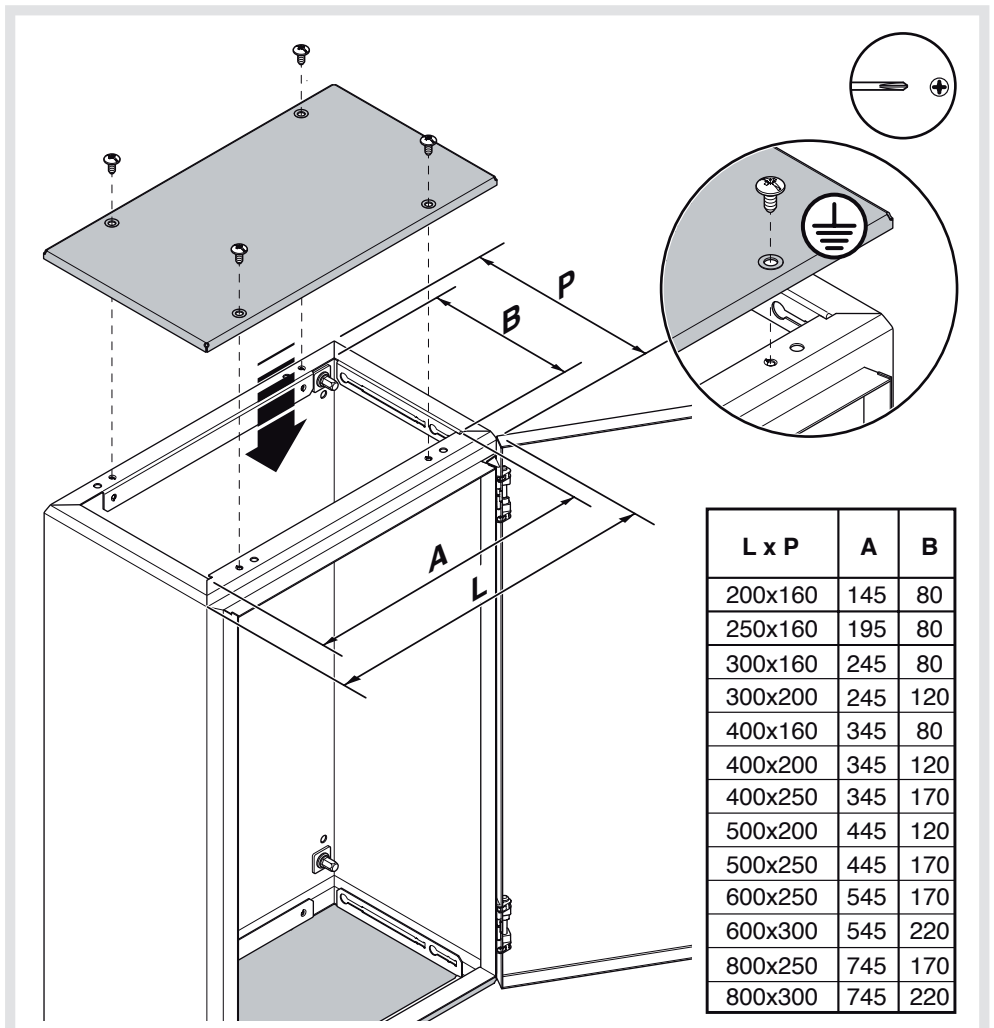
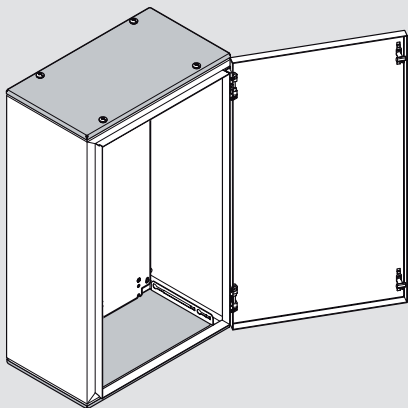
		H X L	A	B
FL401A		250x200	230	173
FL402A	FL472A	300x250	280	193
FL403A		300x300	280	243
FL404A	FL473A	350x300	330	243
FL405A		400x300	380	243
FL406A		400x400	380	343
FL407A	FL474A	500x300	480	243
FL408A	FL475A	500x400	480	343
FL409A		500x500	480	443
FL410A		600x400	580	343
FL411A		600x600	580	543
FL412A	FL476A	650x400	630	343
FL413A	FL477A	650x500	630	443
FL414A	FL478A	800x500	780	443
FL415A	FL479A	800x600	780	543
FL416A	FL480A	950x600	930	543
FL417A	FL481A	950x800	930	743
FL418A	FL482A	1250x600	1230	543
FL419A	FL483A	1250x800	1230	743



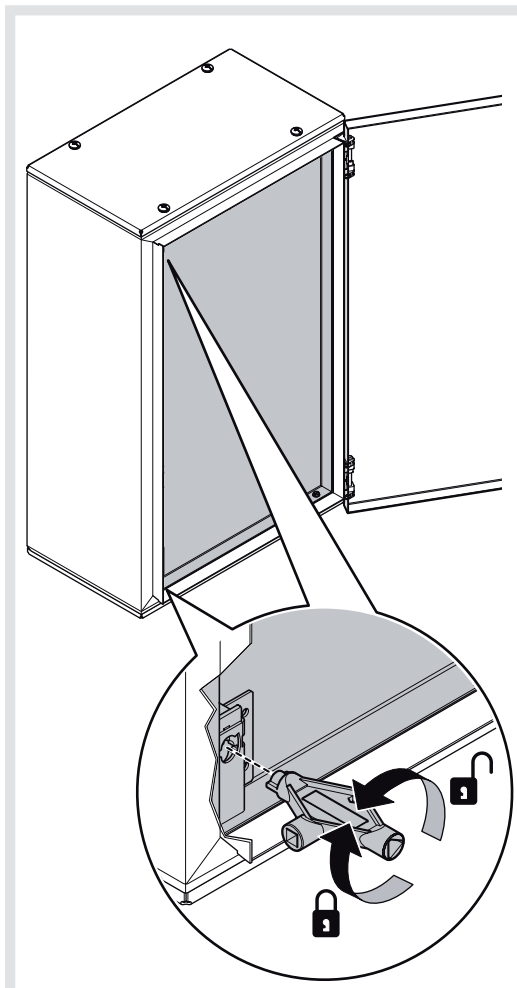
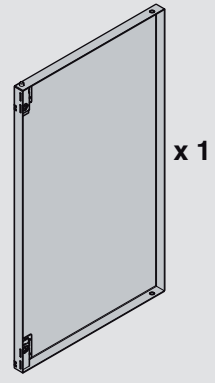
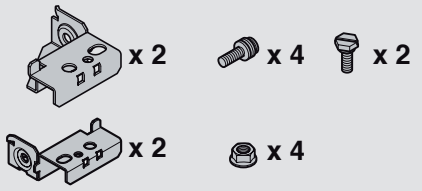
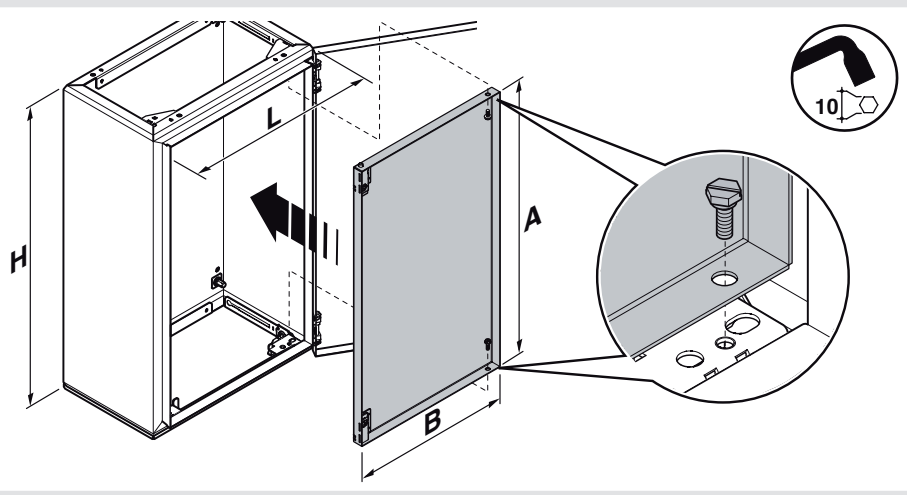
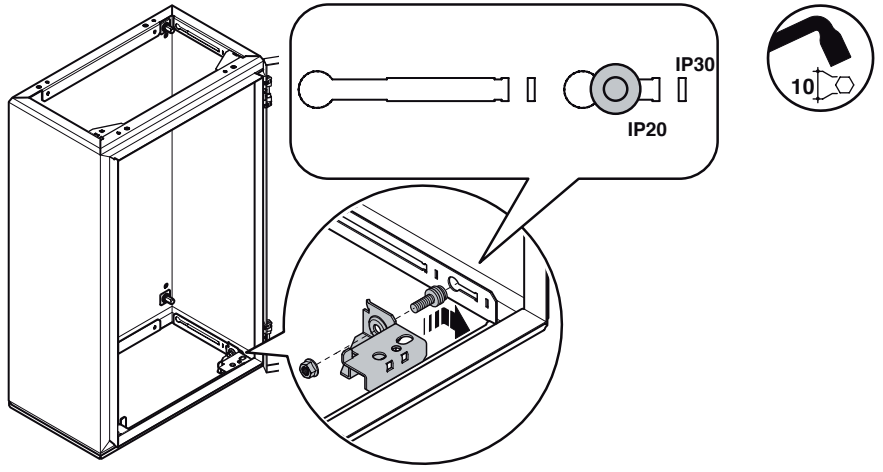
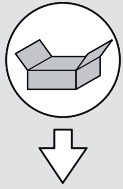
FL450A



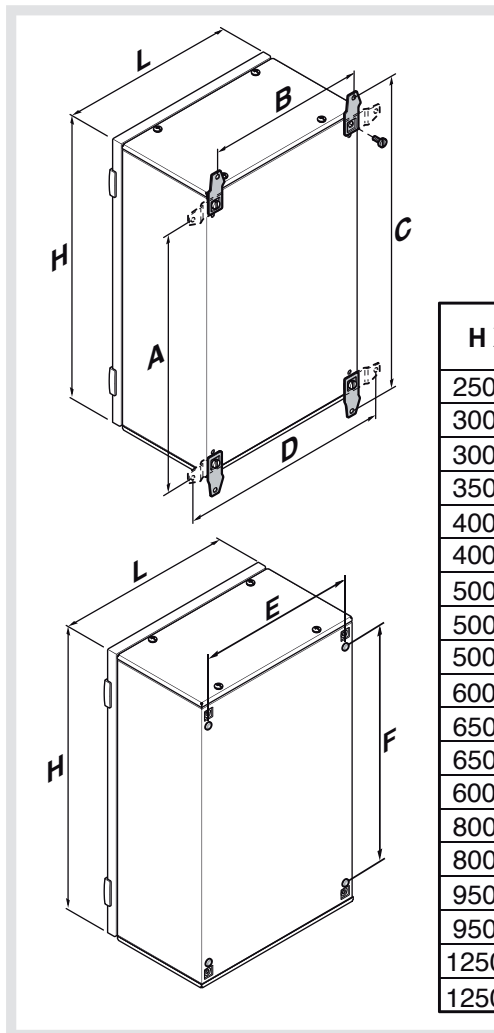
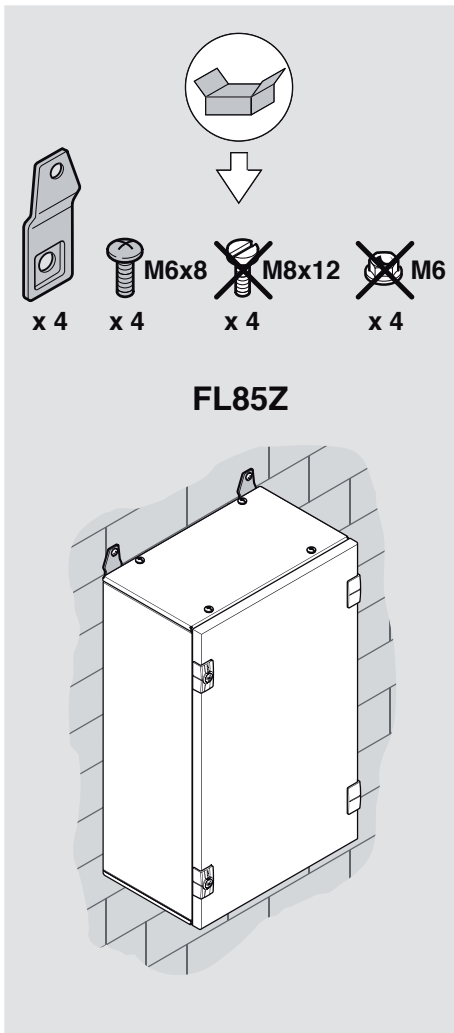
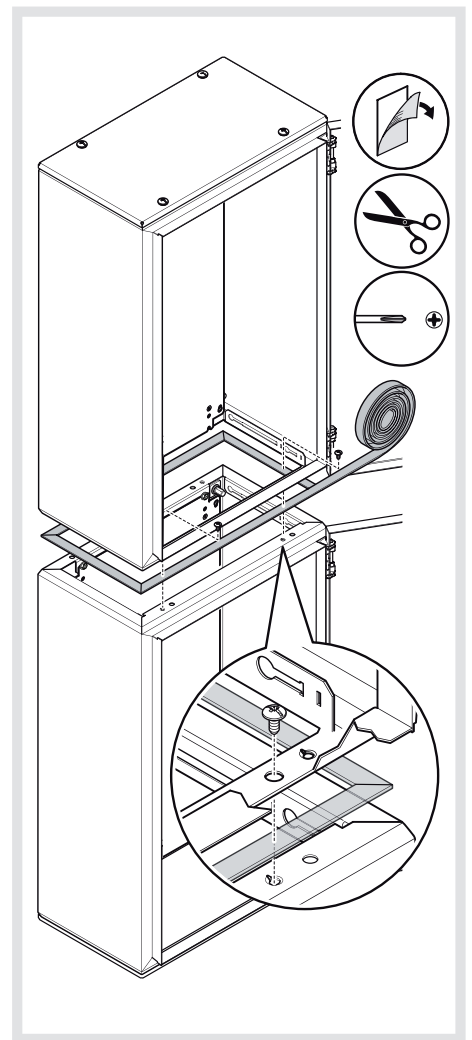
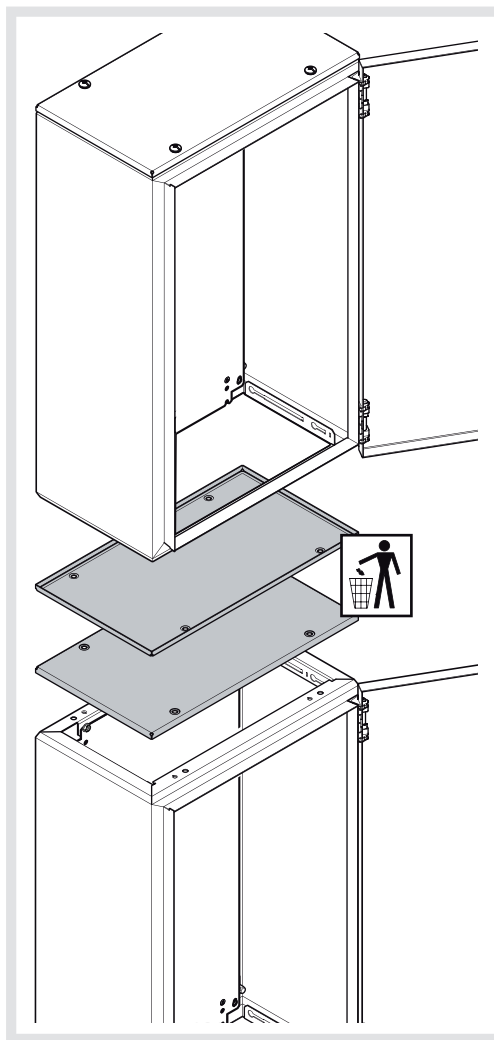
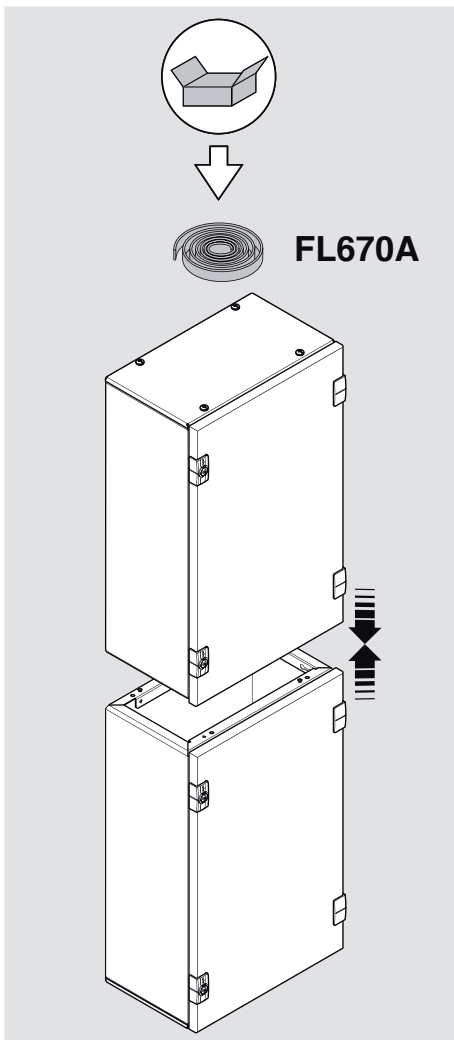

x 8 / x 12 / x 16



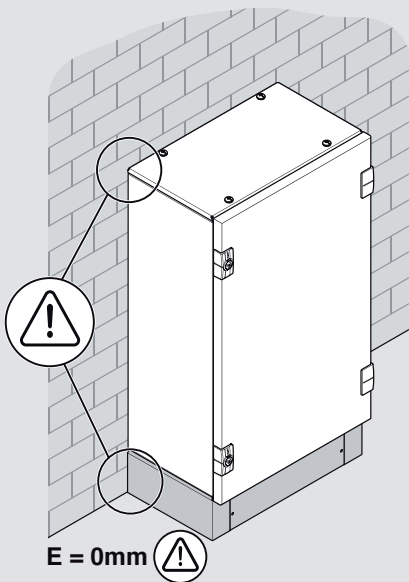
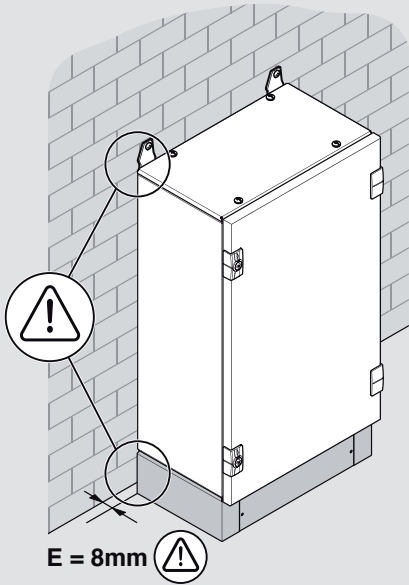
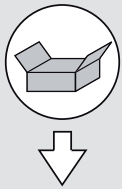
L x P	A	B
200x160	145	80
250x160	195	80
300x160	245	80
300x200	245	120
400x160	345	80
400x200	345	120
400x250	345	170
500x200	445	120
500x250	445	170
600x250	545	170
600x300	545	220
800x250	745	170
800x300	745	220



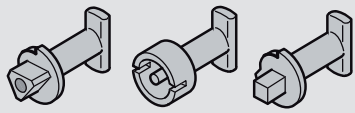
	H X L	A	B
FL541A	250x200	148	198
FL542A	300x250	248	198
FL543A	300x300	248	248
FL544A	350x300	298	248
FL545A	400x300	348	248
FL546A	400x400	348	348
FL547A	500x300	448	248
FL548A	500x400	448	348
FL549A	500x500	448	448
FL550A	600x400	548	348
FL551A	650x400	598	348
FL552A	650x500	598	448
FL553A	600x600	548	548
FL554A	800x500	748	448
FL555A	800x600	748	548
FL556A	950x600	898	548
FL557A	950x800	898	748
FL558A	1250x600	1198	548
FL559A	1250x800	1198	748

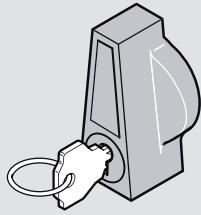
HXL	A	B	C	D	E	F
250x200	172	160	282	270	169	125
300x250	222	210	332	320	219	175
300x300	222	260	332	370	269	175
350x300	272	260	382	370	269	225
400x300	322	260	432	370	269	275
400x400	322	360	432	470	369	275
500x300	422	260	532	370	269	375
500x400	422	360	532	470	369	375
500x500	422	460	532	570	469	375
600x400	522	360	632	470	369	475
650x400	572	360	682	470	369	525
650x500	572	460	682	570	469	525
600x600	522	560	632	670	569	475
800x500	722	460	832	570	469	675
800x600	722	560	832	670	569	675
950x600	872	560	982	670	569	825
950x800	872	760	982	870	769	825
1250x600	1172	560	1282	670	569	1125
1250x800	1172	760	1282	870	769	1125



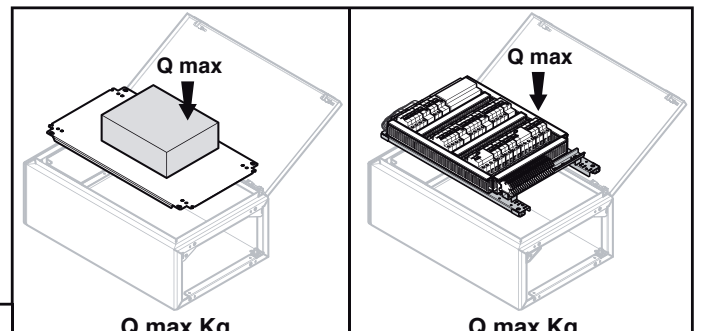
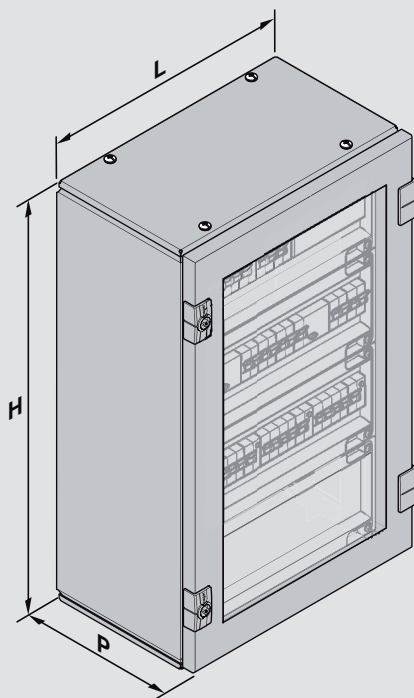
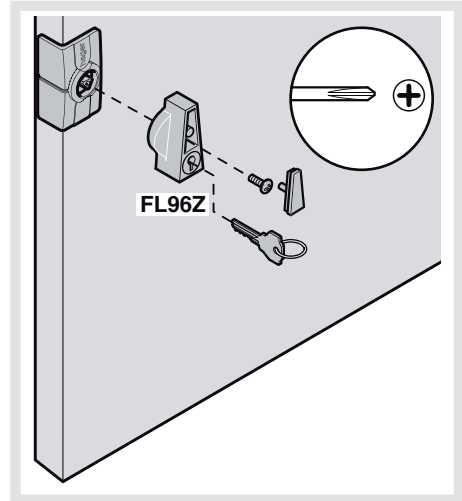
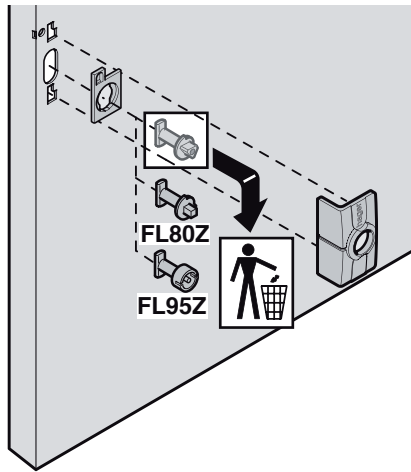
	LXP	A	B	C	D
FL957A	500x200	500	175	430	75
FL958A	500x250	500	225	430	75
FL959A	600x250	600	225	530	125
FL960A	600x300	600	275	530	175
FL961A	800x250	800	225	730	125
FL962A	800x300	800	275	730	175



FL93Z FL95Z FL80Z



FL96Z



H	L	P	Q max Kg	Q max Kg
250	200	160	6	7
300	250	160	8	11
300	300	160	10	13
350	300	160	12	15
350	300	200	12	15
400	300	160	14	17
400	300	200	14	17
400	400	200	18	23
500	300	160	17	21
500	300	200	17	21
500	400	160	23	28
500	400	200	23	28
500	500	200	28	35
600	400	200	27	34
600	400	250	27	34
600	400	250	41	51
650	400	200	29	37
650	400	250	29	37
650	500	200	37	46
650	500	250	37	46
800	500	200	45	56
800	500	250	45	56
800	600	250	54	68
800	600	300	54	68
950	600	250	64	80
950	600	300	64	80
950	800	250	86	107
950	800	300	86	107
1250	600	250	85	106
1250	800	300	113	141